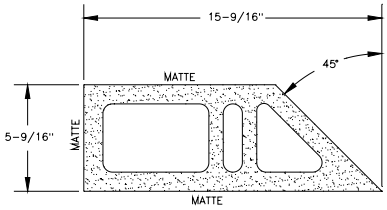
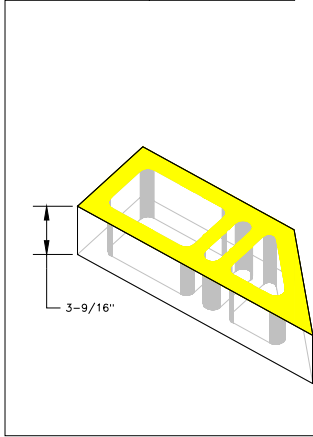


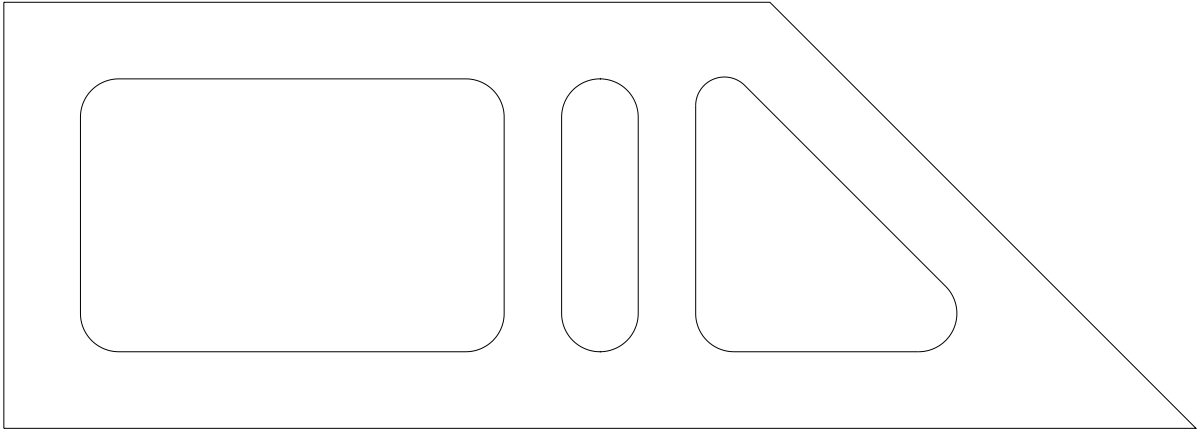
|                       |  |   |
|-----------------------|--|---|
| DIFFICULTY RATING:    |  | <b>CUSTOMER SIGNATURE INDICATES APPROVAL OF SHAPE AS SHOWN AND AGREEMENT TO PURCHASE ALL SHAPES ORDERED AND EQUIPMENT AS INDICATED ON PURCHASE ORDER.</b> |
| STRETCHER:            |  |   |
| PRODUCT CODE:         |  | SURFACES NOT DESIGNATED AS FACES MAY OR MAY NOT BE SOLID AT MANUFACTURERS OPTION IN ORDER TO REDUCE COST. CORING MAY VARY                                 |
| YARD SERVICES CHARGE: |  |   |
| SHAPER CAP CHARGE:    |  |   |
| SPECIAL EQUIP:        |  |   |
| CUST APPRV:           |  |   |
| PLANT APPRV:          |  |   |



**INTERSTATE BRICK**  
**ENGINEERING DEPARTMENT**  
 WEST JORDAN, UTAH

*"Nothing Else Stacks Up"*

|        |                        |                |
|--------|------------------------|----------------|
| CUST:  |                        | DRN BY: J. ECK |
| JOB:   |                        | DATE: 4/11/03  |
| UNIT:  | 6X4X16 W/45 DEGREE END |                |
| COLOR: |                        |                |
| SIZE:  | 6X4X16 ATLAS           |                |
| QTY:   |                        | AT6416_45deg   |



Demo Version