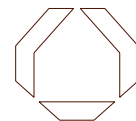
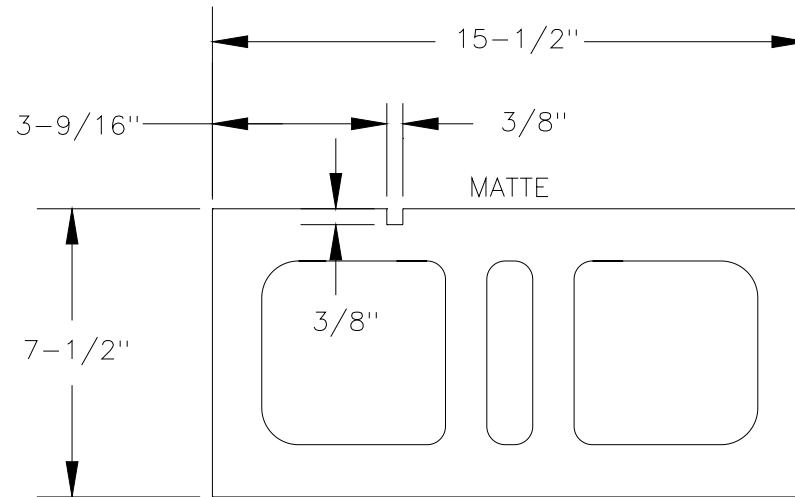
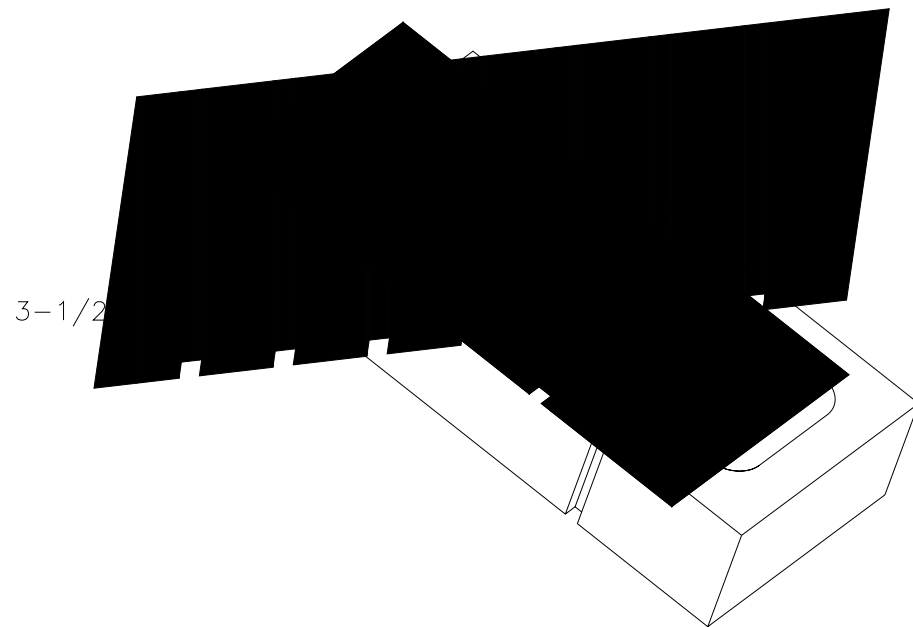


|                       |  |
|-----------------------|--|
| DIFFICULTY RATING:    |  |
| STRETCHER:            |  |
| PRODUCT CODE:         |  |
| YARD SERVICES CHARGE: |  |
| SHAPER CAP CHARGE:    |  |
| SPECIAL EQUIP:        |  |
| CUST APPRV:           |  |
| PLANT APPRV:          |  |

**CUSTOMER SIGNATURE INDICATES APPROVAL OF SHAPE AS SHOWN AND AGREEMENT TO PURCHASE ALL SHAPES ORDERED AND EQUIPMENT AS INDICATED ON PURCHASE ORDER.**

SURFACES NOT DESIGNATED AS FACES MAY OR MAY NOT BE SOLID AT MANUFACTURERS OPTION IN ORDER TO REDUCE COST.



**INTERSTATE BRICK**  
**ENGINEERING DEPARTMENT**  
 WEST JORDAN, UTAH

*"Nothing Else  
 Stacks Up"*

|        |                 |                   |
|--------|-----------------|-------------------|
| CUST:  |                 | DRN BY: J. ECK    |
| JOB:   |                 | DATE: 6/6/02      |
| UNIT:  | ATLAS W/OS SLOT |                   |
| COLOR: |                 |                   |
| SIZE:  | 8X4X16          |                   |
| QTY:   |                 | AT8416_offsetslot |

**Demo Version**