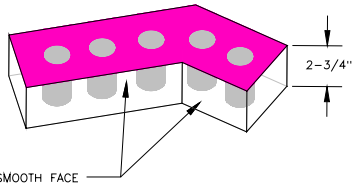
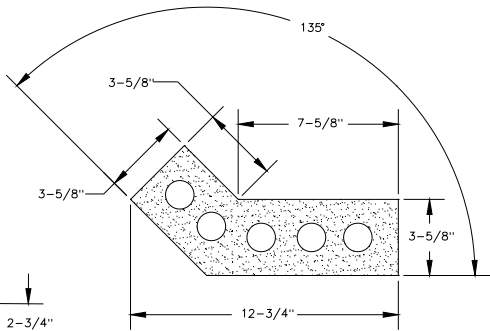

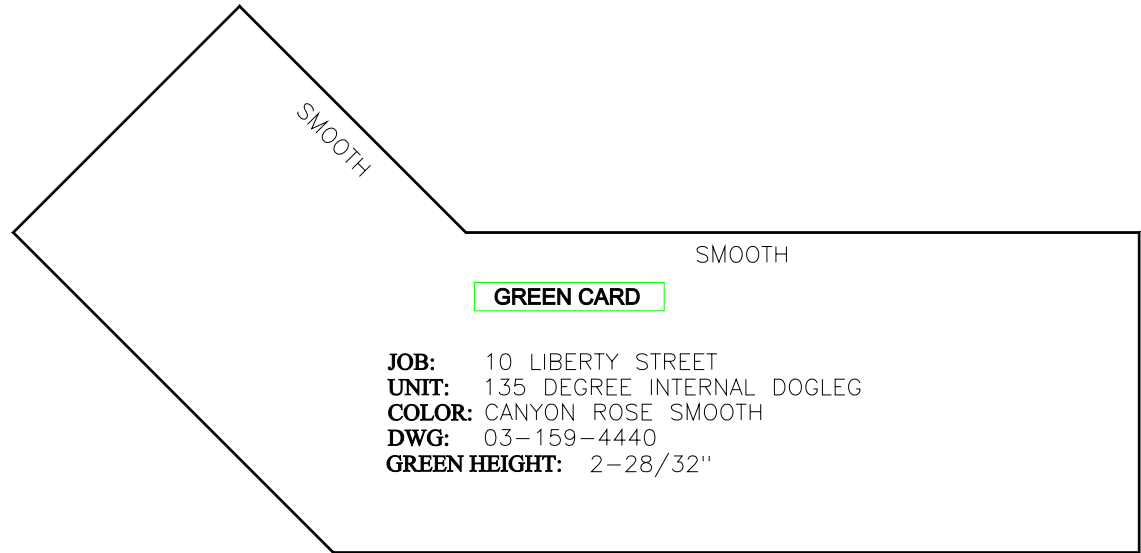


DIFFICULTY RATING:	<b>CUSTOMER SIGNATURE INDICATES APPROVAL OF SHAPE AS SHOWN AND AGREEMENT TO PURCHASE ALL SHAPES ORDERED AND EQUIPMENT AS INDICATED ON PURCHASE ORDER.</b>	
STRETCHER:		
PRODUCT CODE:		
YARD SERVICES CHARGE:		SURFACES NOT DESIGNATED AS FACES MAY OR MAY NOT BE SOLID AT MANUFACTURERS OPTION IN ORDER TO REDUCE COST. CORING MAY VARY
SHAPER CAP CHARGE:		
SPECIAL EQUIP.:		
PLANT APPRV.:		



 <b>INTERSTATE BRICK</b> <b>ENGINEERING DEPARTMENT</b> WEST JORDAN, UTAH		<i>"Nothing Else Stacks Up"</i>
CUST:	DRN BY: J. ECK	
JOB:	DATE: 01/08/03	
UNIT:	135° INTERNAL DOGLEG	
COLOR:		
SIZE:	AS SHOWN	
QTY:		EM2340_135degdogleginternal



**JOB:** 10 LIBERTY STREET  
**UNIT:** 135 DEGREE INTERNAL DOGLEG  
**COLOR:** CANYON ROSE SMOOTH  
**DWG:** 03-159-4440  
**GREEN HEIGHT:** 2-28/32"

Demo Version