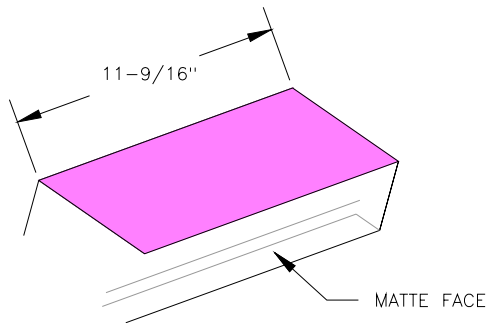


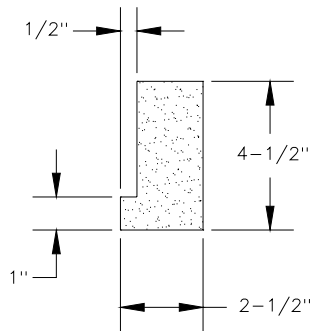
DIFFICULTY RATING:		<b>CUSTOMER SIGNATURE INDICATES APPROVAL OF SHAPE AS SHOWN AND AGREEMENT TO PURCHASE ALL SHAPES ORDERED AND EQUIPMENT AS INDICATED ON PURCHASE ORDER.</b>
STRETCHER:		
PRODUCT CODE:		SURFACES NOT DESIGNATED AS FACES MAY OR MAY NOT BE SOLID AT MANUFACTURERS OPTION IN ORDER TO REDUCE COST. CORING MAY VARY.
YARD SERVICES CHARGE:		
SHAPER CAP CHARGE:		
SPECIAL EQUIP:		
CUST APPRV:		
PLANT APPRV:		


NOTE: THIS UNIT IS SOLID

CUSTOMER NOTE: ALLOW TWO (2) WEEKS ADDITIONAL DRYING TIME.



3D VIEW



 <b>INTERSTATE BRICK</b> <b>ENGINEERING DEPARTMENT</b> WEST JORDAN, UTAH		<i>"Nothing Else Stacks Up"</i>
CUST:		DRN BY: J. ECK
JOB:		DATE: 11/24/03
UNIT:	SPECIAL LIP STRETCHER	
COLOR:		
SIZE:	4.5X2.5X12	
QTY:		NM2120_lipstretchersolid

**GREEN CARD**

DWG. 03-334-4440

MATTE

Demo Version