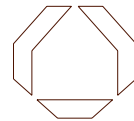
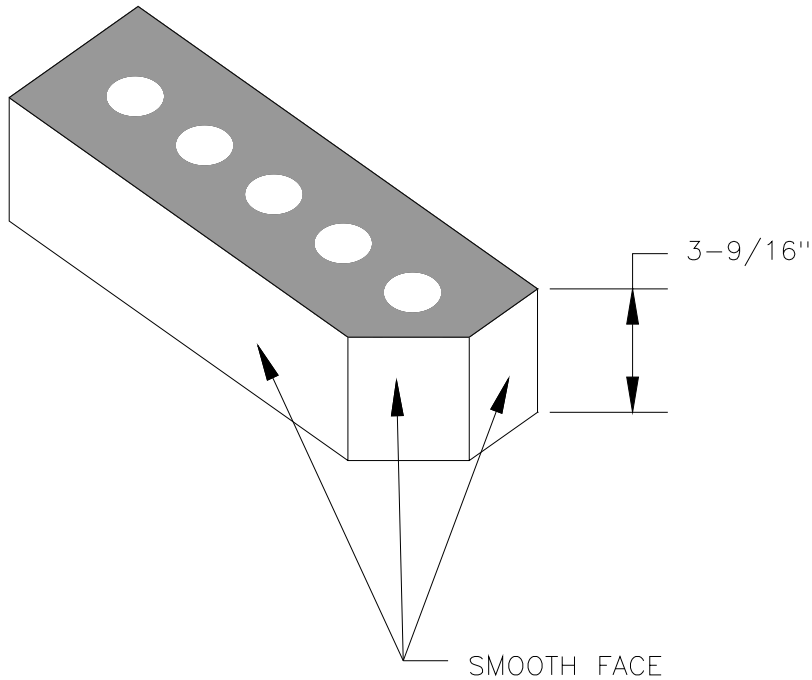
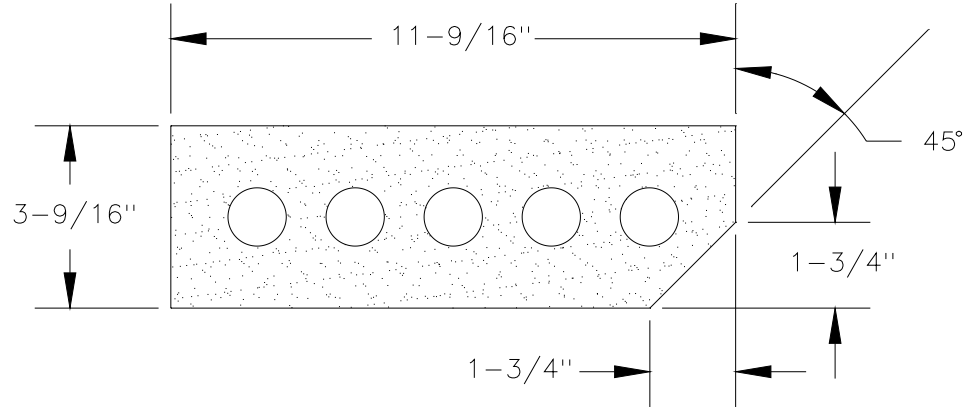


DIFFICULTY RATING:	
STRETCHER:	
PRODUCT CODE:	
YARD SERVICES CHARGE:	
SHAPER CAP CHARGE:	
SPECIAL EQUIP:	
CUST APPRV:	
PLANT APPRV:	

**CUSTOMER SIGNATURE INDICATES APPROVAL OF SHAPE AS SHOWN AND AGREEMENT TO PURCHASE ALL SHAPES ORDERED AND EQUIPMENT AS INDICATED ON PURCHASE ORDER.**

SURFACES NOT DESIGNATED AS FACES MAY OR MAY NOT BE SOLID AT MANUFACTURERS OPTION IN ORDER TO REDUCE COST. CORING MAY VARY.



**INTERSTATE BRICK  
ENGINEERING DEPARTMENT**

WEST JORDAN, UTAH

*"Nothing Else  
Stacks Up"*

CUST:		DRN BY: J. ECK
JOB:		DATE: 5/31/02
UNIT:	CORNER CHAMFER	
COLOR:		
SIZE:	3-1/2" NORMAN	
QTY:		NM3916_1.75inchamfer

**Demo Version**