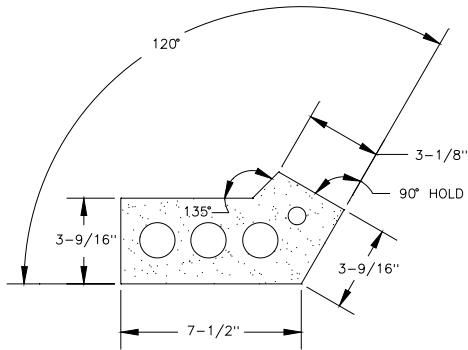
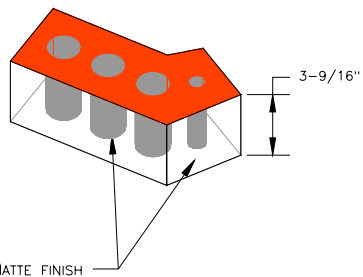

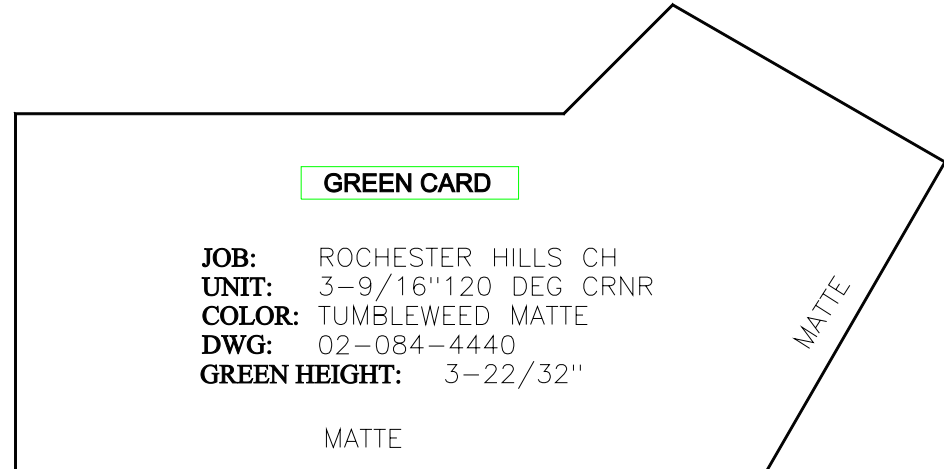


DIFFICULTY RATING:		<b>CUSTOMER SIGNATURE INDICATES APPROVAL OF SHAPE AS SHOWN AND AGREEMENT TO PURCHASE ALL SHAPES ORDERED AND EQUIPMENT AS INDICATED ON PURCHASE ORDER.</b>	
STRETCHER:			
PRODUCT CODE:			
YARD SERVICES CHARGE:			SURFACES NOT DESIGNATED AS FACES MAY OR MAY NOT BE SOLID AT MANUFACTURERS OPTION IN ORDER TO REDUCE COST. CORING MAY VARY.
SHAPER CAP CHARGE:			
SPECIAL EQUIP:			
CUST APPRV:			
PLANT APPRV:			

NOTE: USE 135° CAP-WIRE CUT 90 & 120° ANGLES

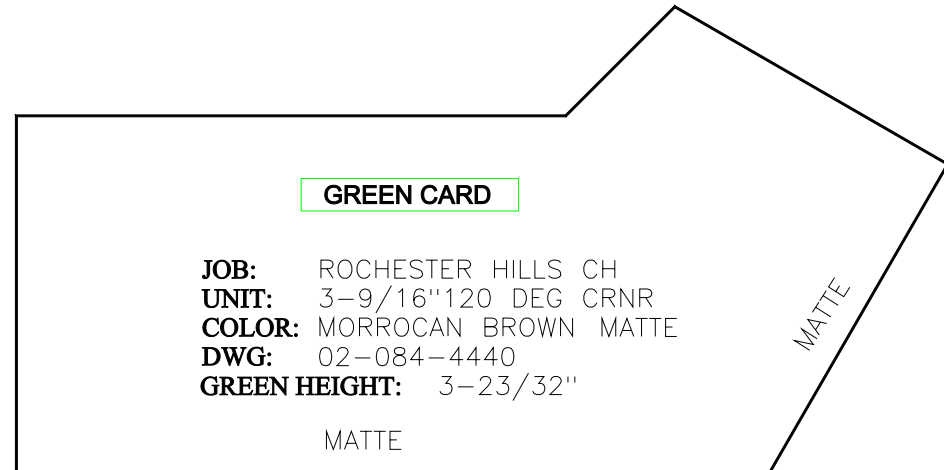


 <b>INTERSTATE BRICK</b> <b>ENGINEERING DEPARTMENT</b> WEST JORDAN, UTAH		<i>"Nothing Else Stacks Up"</i>	
CUST:			DRN BY: J. ECK
JOB:			DATE: 8/5/02
UNIT:	3-9/16 120° EXT CORNER		
COLOR:			
SIZE:	3-1/2" NORMAN	NM3916_120degexternaldogleg	
QTY:			



**JOB:** ROCHESTER HILLS CH  
**UNIT:** 3-9/16" 120 DEG CRNR  
**COLOR:** TUMBLEWEED MATTE  
**DWG:** 02-084-4440  
**GREEN HEIGHT:** 3-22/32"

MATTE



**JOB:** ROCHESTER HILLS CH  
**UNIT:** 3-9/16" 120 DEG CRNR  
**COLOR:** MORROCAN BROWN MATTE  
**DWG:** 02-084-4440  
**GREEN HEIGHT:** 3-23/32"

MATTE

Demo Version