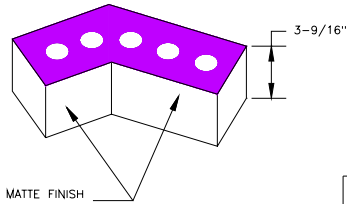
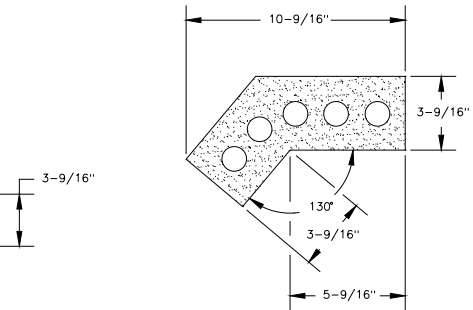

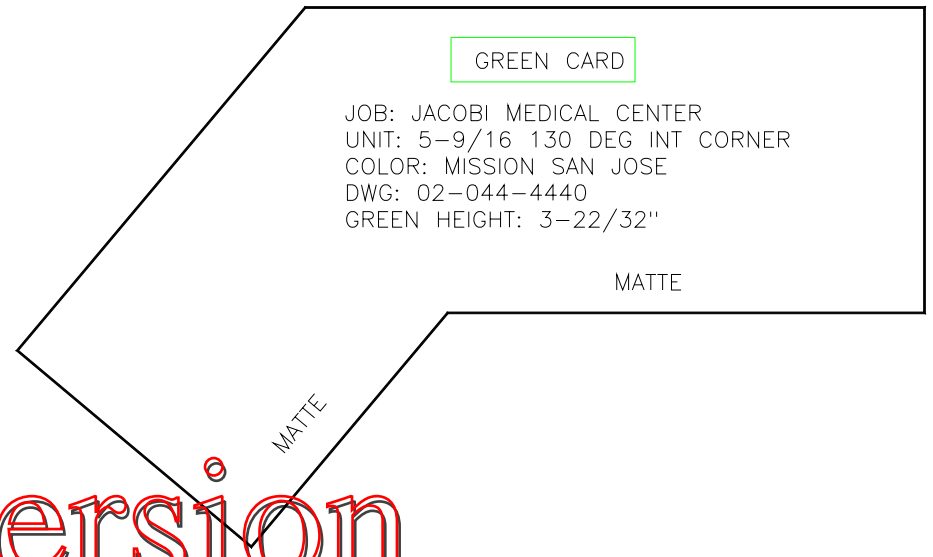
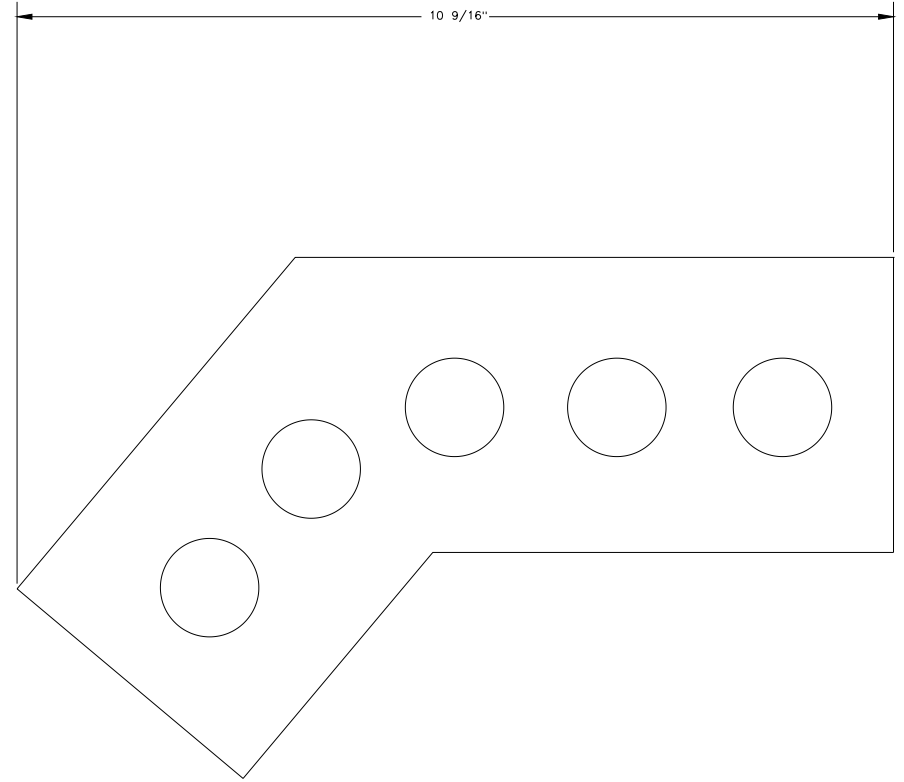


DIFFICULTY RATING:		<b>CUSTOMER SIGNATURE INDICATES APPROVAL OF SHAPE AS SHOWN AND AGREEMENT TO PURCHASE ALL SHAPES ORDERED AND EQUIPMENT AS INDICATED ON PURCHASE ORDER.</b>
STRETCHER:		
PRODUCT CODE:		
YARD SERVICES CHARGE:		
SHAPER CAP CHARGE:		
SPECIAL EQUIP:		
CUST APPRV:		
PLANT APPRV:		



 <b>INTERSTATE BRICK</b> <b>ENGINEERING DEPARTMENT</b> WEST JORDAN, UTAH		<i>"Nothing Else Sticks Up"</i>
CUST:	DRN BY: J. ECK	
JOB:	DATE: 5/3/02	
UNIT:	5-9/16 130 INT CORNER	
COLOR:		
SIZE:	3-1/2" NORMAN	
QTY:		NM3916_130deginternaldogleg



Demo Version