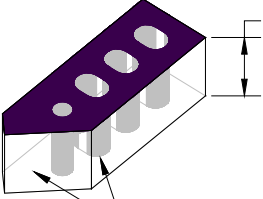
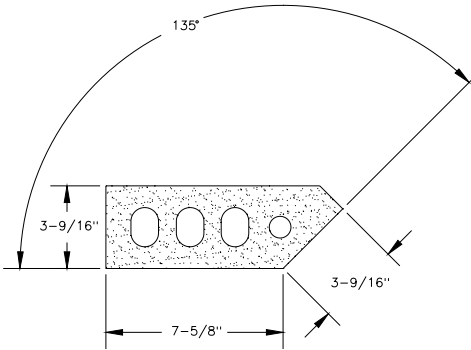


DIFFICULTY RATING:		<b>CUSTOMER SIGNATURE INDICATES APPROVAL OF SHAPE AS SHOWN AND AGREEMENT TO PURCHASE ALL SHAPES ORDERED AND EQUIPMENT AS INDICATED ON PURCHASE ORDER.</b>  SURFACES NOT DESIGNATED AS FACES MAY OR MAY NOT BE SOLID AT MANUFACTURERS OPTION IN ORDER TO REDUCE COST. CORING MAY VARY.
STRETCHER:		
PRODUCT CODE:		
YARD SERVICES CHARGE:		
SHAPER CAP CHARGE:		
SPECIAL EQUIP:		
CUST APPRV:		
PLANT APPRV:		



3D VIEW

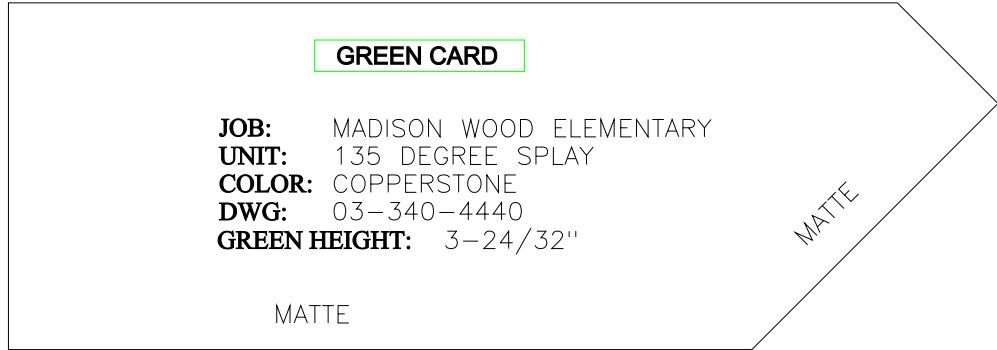


MATTE FACE

INTERSTATE BRICK  
 ENGINEERING DEPARTMENT  
 WEST JORDAN, UTAH

*"Nothing Else Stacks Up"*

CUST:		DRN BY: J. ECK
JOB:		DATE: 12/4/03
UNIT:	135° SPLAY	
COLOR:		
SIZE:	3-1/2" NORMAN	
QTY:		NM3916_135degsplay



Demo Version