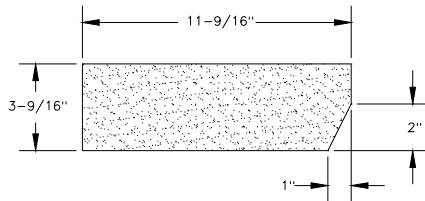


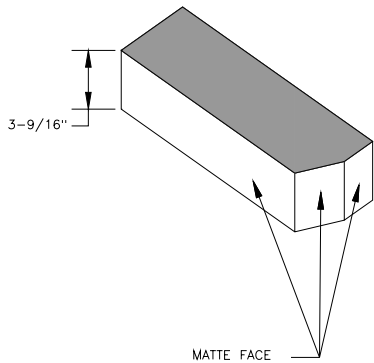
DIFFICULTY RATING:	
STRETCHER:	
PRODUCT CODE:	
YARD SERVICES CHARGE:	
SHAPER CAP CHARGE:	
SPECIAL EQUIP:	
CUST APPRV:	
PLANT APPRV:	


CUSTOMER SIGNATURE INDICATES APPROVAL OF SHAPE AS SHOWN AND AGREEMENT TO PURCHASE ALL SHAPES ORDERED AND EQUIPMENT AS INDICATED ON PURCHASE ORDER.

SURFACES NOT DESIGNATED AS FACES MAY OR MAY NOT BE SOLID AT MANUFACTURERS OPTION IN ORDER TO REDUCE COST.



*SOLID UNIT - NO CORE HOLES



 INTERSTATE BRICK ENGINEERING DEPARTMENT WEST JORDAN, UTAH		<i>"Nothing Else Stacks Up"</i>
CUST:	DRN BY: J. ECK	
JOB:	DATE: 5/28/02	
UNIT:	SOLDIER SHAPE	
COLOR:		
SIZE:	3-1/2" NORMAN	
QTY:		NM3916_2inchamfersolid

GREEN CARD

JOB: LOWELL HIGH SCHOOL
UNIT: SOLDIER SHAPE
COLOR: MOUNTAIN RED MATTE
DWG: 02-046-4440
GREEN HEIGHT: 3-23/32

MATTE

MATTE
MATTE

Demo Version