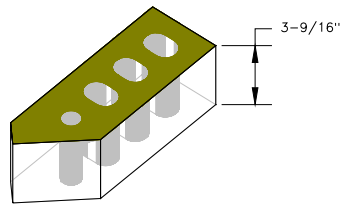
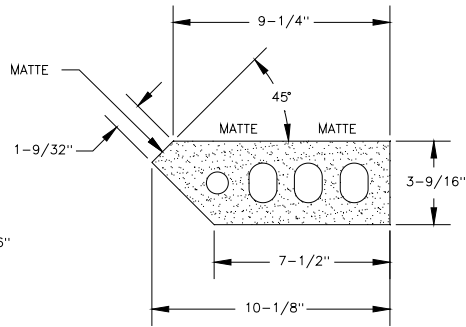

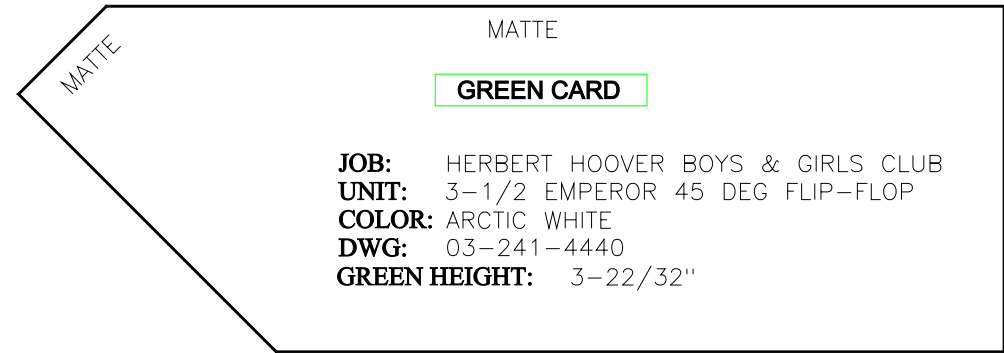


DIFFICULTY RATING:	<b>CUSTOMER SIGNATURE INDICATES APPROVAL OF SHAPE AS SHOWN AND AGREEMENT TO PURCHASE ALL SHAPES ORDERED AND EQUIPMENT AS INDICATED ON PURCHASE ORDER.</b>	
STRETCHER:		
PRODUCT CODE:		
YARD SERVICES CHARGE:		SURFACES NOT DESIGNATED AS FACES MAY OR MAY NOT BE SOLID AT MANUFACTURERS OPTION IN ORDER TO REDUCE COST. CORING MAY VARY.
SHAPER CAP CHARGE:		
SPECIAL EQUIP:		
CUST APPRV:		
PLANT APPRV:		



3D VIEW

 <b>INTERSTATE BRICK</b> <b>ENGINEERING DEPARTMENT</b> WEST JORDAN, UTAH		<i>"Nothing Else Stacks Up"</i>
CUST:	DRN BY: J. ECK	
JOB:	DATE: 5/5/03	
UNIT:	45 DEGREE ANGLE FLIP-FLOP	
COLOR:		
SIZE:	3-1/2" EMPEROR	
QTY:		NM3916_45degfliplop



Demo Version