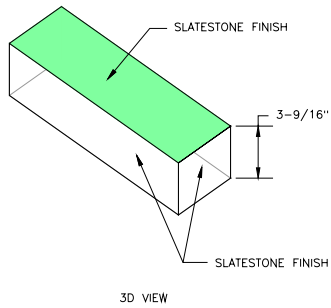
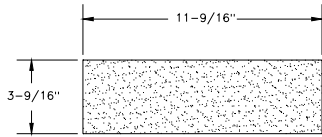

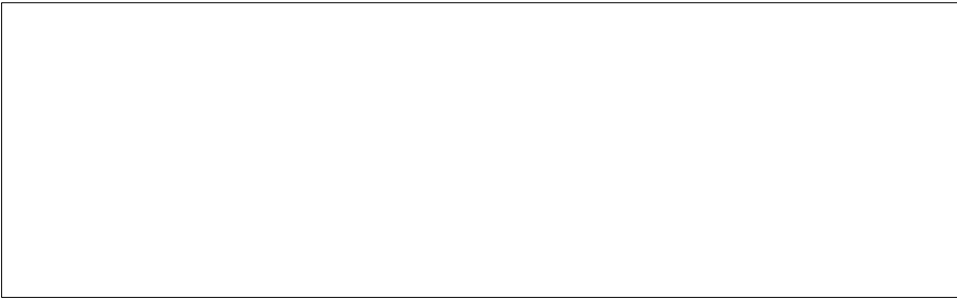


DIFFICULTY RATING:		CUSTOMER SIGNATURE INDICATES APPROVAL OF SHAPE AS SHOWN AND AGREEMENT TO PURCHASE ALL SHAPES ORDERED AND EQUIPMENT AS INDICATED ON PURCHASE ORDER.
STRETCHER:		
PRODUCT CODE:		SURFACES NOT DESIGNATED AS FACES MAY OR MAY NOT BE SOLID AT MANUFACTURERS OPTION IN ORDER TO REDUCE COST. CORING MAY VARY
YARD SERVICES CHARGE:		
SHAPER CAP CHARGE:		
SPECIAL EQUIP:		
CUST APPRV:		
PLANT APPRV:		



 INTERSTATE BRICK ENGINEERING DEPARTMENT WEST JORDAN, UTAH		<i>"Nothing Else Stacks Up"</i>
CUST:		
JOB:		DATE: 3/22/04
UNIT:	NORMAN SOLID	
COLOR:		
SIZE:	3-1/2" NORMAN	NM3916_solid
QTY:		



GREEN CARD

Demo Version