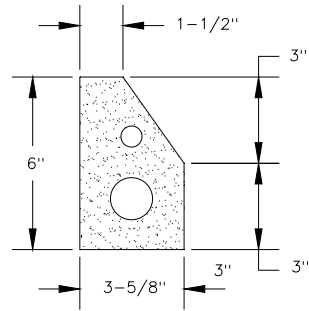
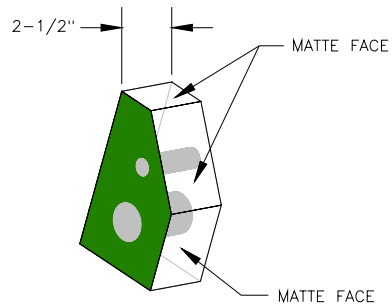



DIFFICULTY RATING:		<b>CUSTOMER SIGNATURE INDICATES APPROVAL OF SHAPE AS SHOWN AND AGREEMENT TO PURCHASE ALL SHAPES ORDERED AND EQUIPMENT AS INDICATED ON PURCHASE ORDER.</b>	
STRETCHER:			
PRODUCT CODE:			
YARD SERVICES CHARGE:			SURFACES NOT DESIGNATED AS FACES MAY OR MAY NOT BE SOLID AT MANUFACTURERS OPTION IN ORDER TO REDUCE COST. CORING MAY VARY
SHAPER CAP CHARGE:			
SPECIAL EQUIP:			
PLANT APPRV:			



 <b>INTERSTATE BRICK</b> <b>ENGINEERING DEPARTMENT</b> WEST JORDAN, UTAH		<i>"Nothing Else Stacks Up"</i>
CUST:		
JOB:		DATE: 10/1/2003
UNIT:	SPECIAL SILL SOLDIER	
COLOR:		
SIZE:	2-1/2" MODULAR	
QTY:		MD2140_3inslopedsoldier

**GREEN CARD**

**JOB:** PUMILITE TUALATIN  
**UNIT:** SPECIAL SILL SOLDIER  
**COLOR:** MOUNTAIN RED  
**DWG:** 03-317-4440  
**GREEN HEIGHT:** 2-19/32"

MATTE

MATTE

MATTE

Demo Version