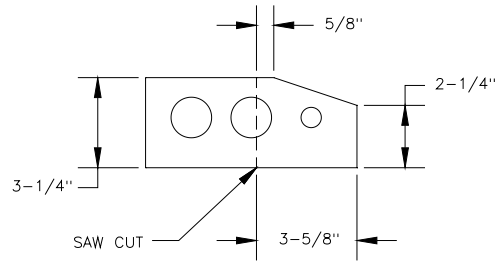
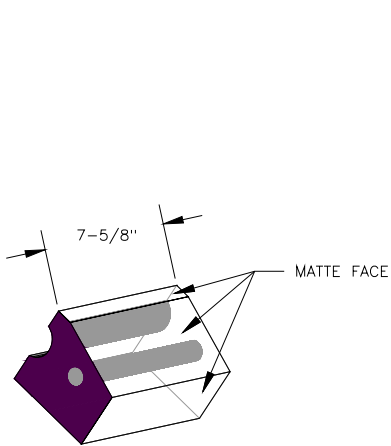



DIFFICULTY RATING:	<b>CUSTOMER SIGNATURE INDICATES APPROVAL OF SHAPE AS SHOWN AND AGREEMENT TO PURCHASE ALL SHAPES ORDERED AND EQUIPMENT AS INDICATED ON PURCHASE ORDER.</b>	
STRETCHER:		
PRODUCT CODE:		
YARD SERVICES CHARGE:		SURFACES NOT DESIGNATED AS FACES MAY OR MAY NOT BE SOLID AT MANUFACTURERS OPTION IN ORDER TO REDUCE COST. CORING MAY VARY
SHAPER CAP CHARGE:		
SPECIAL EQUIP:		
PLANT APPRV:		



 <b>INTERSTATE BRICK</b> <b>ENGINEERING DEPARTMENT</b> WEST JORDAN, UTAH		<i>"Nothing Else Stacks Up"</i>
CUST:		
JOB:		DATE: 8/14/02
UNIT:	SPECIAL SILL SHAPE	
COLOR:		
SIZE:	3-1/2" MODULAR	MD3916_2.25slopedsill
QTY:		

MATTE	MATTE
<b>GREEN CARD</b>	
<b>JOB:</b>	MERRILL HOSPITAL
<b>UNIT:</b>	3-1/4" SPCL SILL SHAPE
<b>COLOR:</b>	MOUNTAIN RED MATTE
<b>DWG:</b>	02-097-4440
<b>GREEN HEIGHT:</b>	7-20/32"
	MATTE

Demo Version