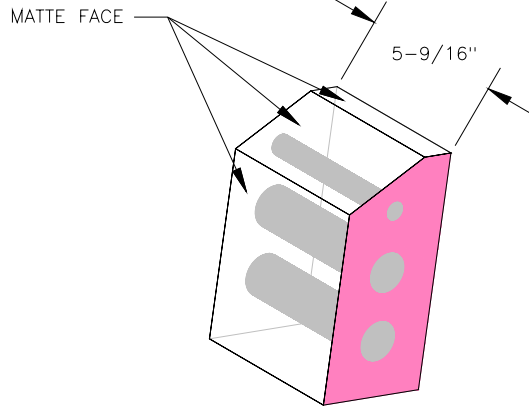


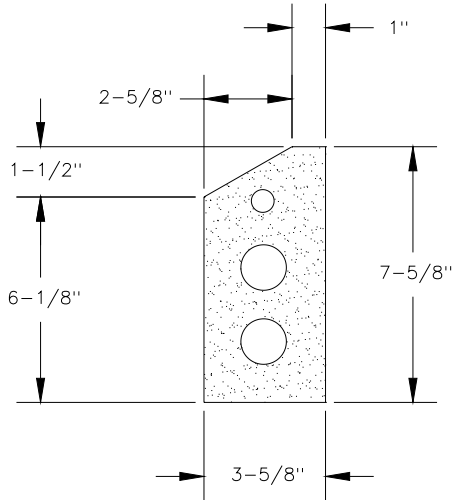
DIFFICULTY RATING:	
STRETCHER:	
PRODUCT CODE:	
YARD SERVICES CHARGE:	
SHAPER CAP CHARGE:	
SPECIAL EQUIP:	
CUST APPRV:	
PLANT APPRV:	

CUSTOMER SIGNATURE INDICATES APPROVAL OF SHAPE AS SHOWN AND AGREEMENT TO PURCHASE ALL SHAPES ORDERED AND EQUIPMENT AS INDICATED ON PURCHASE ORDER.

SURFACES NOT DESIGNATED AS FACES MAY OR MAY NOT BE SOLID AT MANUFACTURERS OPTION IN ORDER TO REDUCE COST. CORING MAY VARY



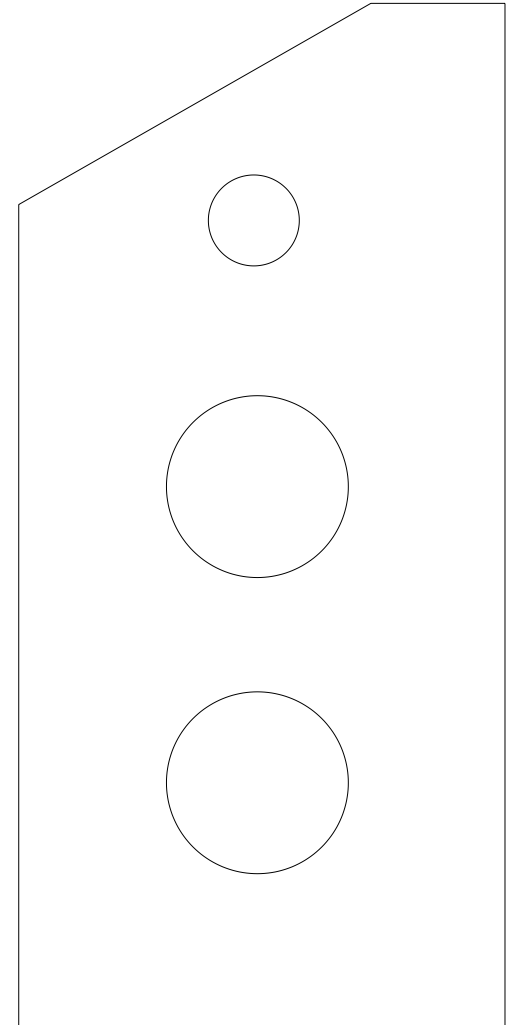
3D VIEW



INTERSTATE BRICK
ENGINEERING DEPARTMENT
 WEST JORDAN, UTAH

*"Nothing Else
 Stacks Up"*

CUST:		DRN BY: J. ECK
JOB:		DATE: 2/6/04
UNIT:		
COLOR:		
SIZE:	7-1/2" MODULAR	
QTY:		MD5916_6inslopedsill



Demo Version