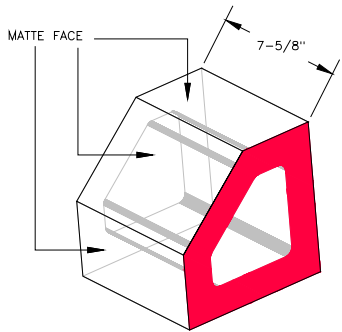
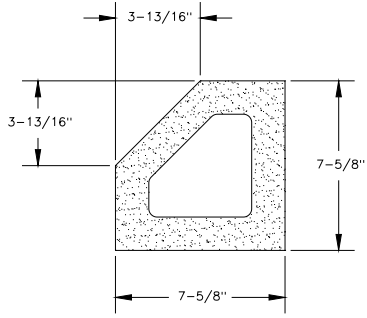

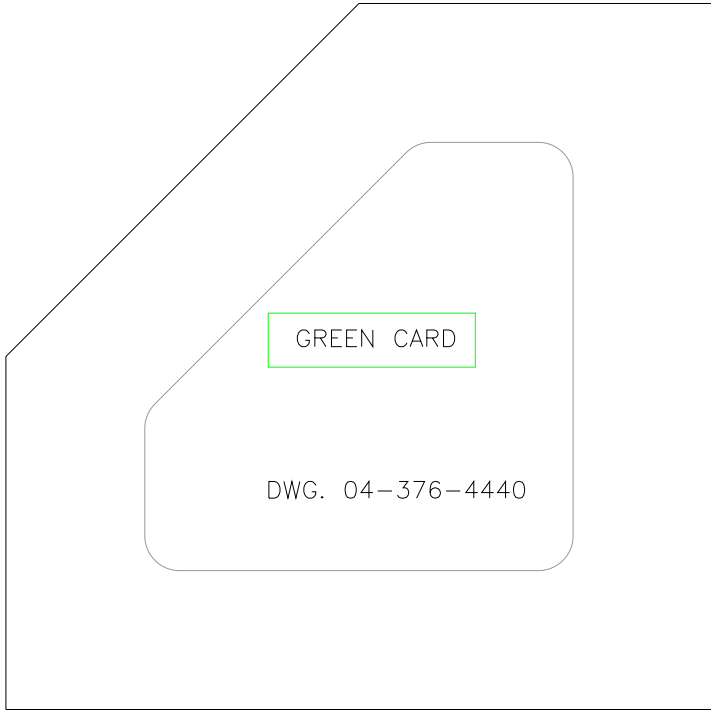


DIFFICULTY RATING:		CUSTOMER SIGNATURE INDICATES APPROVAL OF SHAPE AS SHOWN AND AGREEMENT TO PURCHASE ALL SHAPES ORDERED AND EQUIPMENT AS INDICATED ON PURCHASE ORDER.
STRETCHER:		
PRODUCT CODE:		SURFACES NOT DESIGNATED AS FACES MAY OR MAY NOT BE SOLID AT MANUFACTURERS OPTION IN ORDER TO REDUCE COST. CORING MAY VARY
YARD SERVICES CHARGE:		
SHAPER CAP CHARGE:		
SPECIAL EQUIP:		
CUST APPRV:		
PLANT APPRV:		



3D VIEW

 INTERSTATE BRICK ENGINEERING DEPARTMENT WEST JORDAN, UTAH		<i>"Nothing Else Stacks Up"</i>
CUST:		
JOB:		DATE: 2/13/04
UNIT:	SPECIAL SILL SHAPE	
COLOR:		
SIZE:	8X8X8	MD758_slopped sill
QTY:		



Demo Version