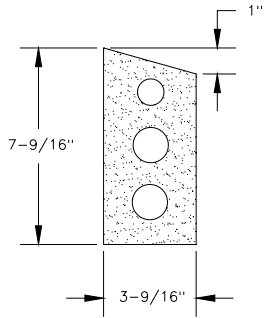
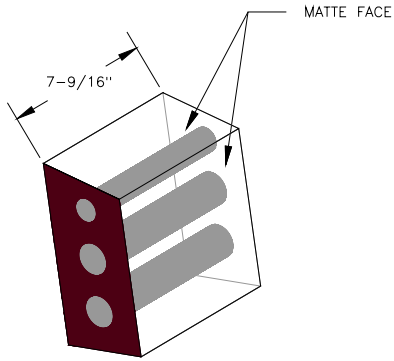


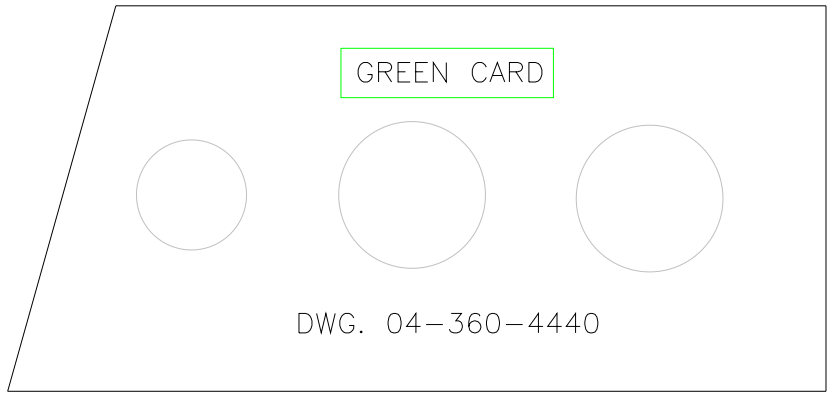
DIFFICULTY RATING:		<b>CUSTOMER SIGNATURE INDICATES APPROVAL OF SHAPE AS SHOWN AND AGREEMENT TO PURCHASE ALL SHAPES ORDERED AND EQUIPMENT AS INDICATED ON PURCHASE ORDER.</b>
STRETCHER:		
PRODUCT CODE:		SURFACES NOT DESIGNATED AS FACES MAY OR MAY NOT BE SOLID AT MANUFACTURERS OPTION IN ORDER TO REDUCE COST. CORING MAY VARY
YARD SERVICES CHARGE:		
SHAPER CAP CHARGE:		
SPECIAL EQUIP:		
CUST APPRV:		
PLANT APPRV:		



**INTERSTATE BRICK**  
**ENGINEERING DEPARTMENT**  
 WEST JORDAN, UTAH

*"Nothing Else Stacks Up"*

CUST:		DRN BY: J. ECK
JOB:		DATE: 1/29/04
UNIT:	SUPER MOD SILL UNIT	
COLOR:		
SIZE:	7-1/2" SUPER MOD	
QTY:		MD7916_1inslopedsill



Demo Version